



# "PPF" - positive pressure fans



- For small, medium and large domestic properties
- 3 models
- Low noise levels
- Extremely low running costs
- Easy to install
- Cupboard and loft installation
- Standard five year guarantee
- BRE Digest 398 Compliant
- Exceeds Building Regulations requirements (including new Document F)

## GENERAL

- very low running costs - less than 1p per day

### PPF4

- easy installation into hallway or cupboard
- uses 100mm dia or rectangular ducting
- four speed levels
- integral hour run meter
- built-in spike protection
- provision for remote over-ride switch/humidistat
- optional in-line heater

### PPF8

- easy loft installation
- four speed levels
- integral hour run meter
- built-in spike protection
- provision for remote over-ride switch/humidistat
- optional in-line heater
- complete with ceiling diffuser, flexible duct, worm drive clips and attenuation mounts

### PPF9

- easy loft installation
- three speed levels
- complete with ceiling diffuser, flexible duct, worm drive clips and attenuation mounts

## RANGE

- **PPF4**  
for domestic properties to 200m<sup>3</sup>
- **PPF8**  
for domestic properties to 400m<sup>3</sup>
- **PPF9**  
for small, medium or large domestic properties

## SPECIFICATION

- maximum ambient temperature 40°C

### PPF4

- fan casing from fire retardant ABS
- filter from EU Grade 3 synthetic material

### PPF8

- fan casing from fire retardant ABS
- filter from EU Grade 3 synthetic material

### PPF9

- robust construction
- longer life filter
- specially developed fan/motor assembly
- motors mounted on sealed, self-lubricating bearings
- protected with thermal cut-out
- double insulated

## COMPLY WITH

- EN60335-2-80
- EC Low Voltage Directive 73/23-93/68
- EC Directive EMC89/336
- CE marked
- BRE Digest 398 Compliant

## TYPICAL SPECIFICATION

Supply and install a PPF9 positive pressure fan supplied by Vectaire Ltd, Lincoln Road, Cressex Business Park, High Wycombe, Bucks, HP12 3RH.

This unit should be designed for easy loft installation and be able to provide effective, draught free ventilation by introducing tempered air drawn in through the loft and creating a positive pressure in the building. The indrawn air is then dissipated through openings around the property, thus providing a constant, background air change.

The fan should have a choice of three lower speeds on installation and run automatically at that level (chosen according to the size of the building).

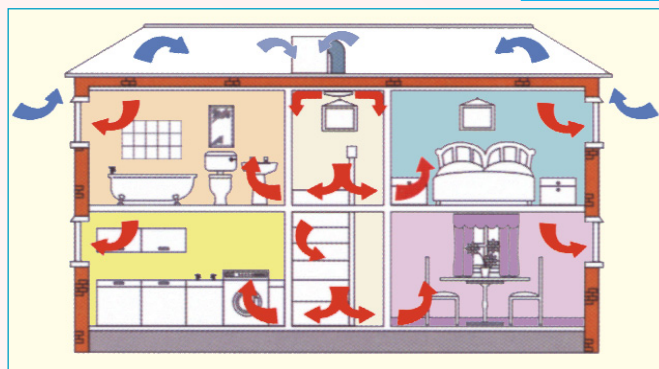
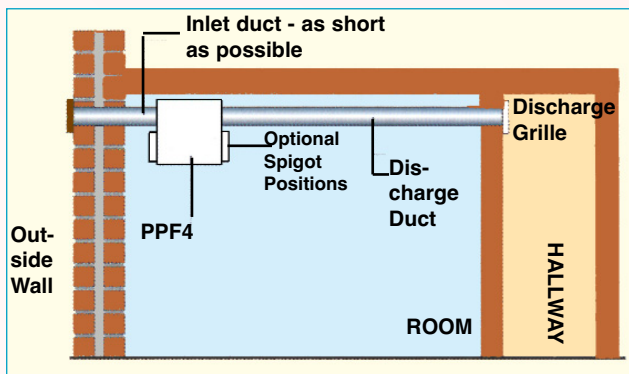
The fan should be supplied with a ceiling diffuser, flexible ducting, worm drive clips and attenuation mounts.

The fan should comply with all current IEE, EC and Building Regulations requirements and also be BRE Digest 398 compliant.

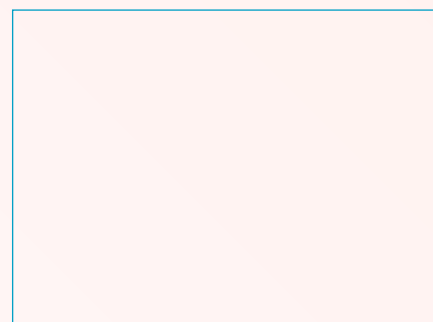
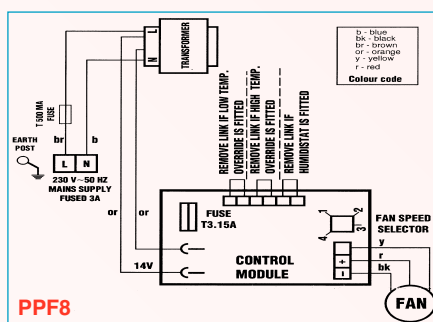
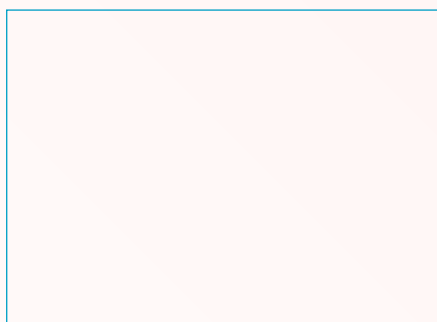


## TECHNICAL CHARACTERISTICS

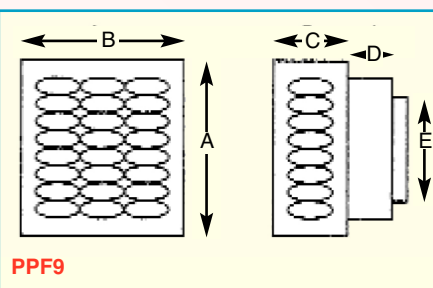
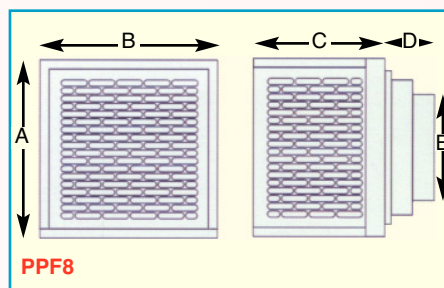
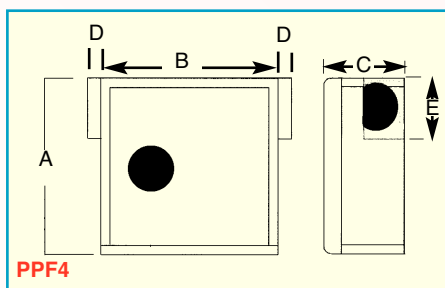
### INSTALLATION



### WIRING DIAGRAMS



### DIMENSIONS



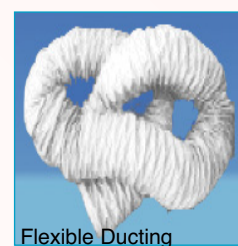
	A mm	B mm	C mm	D mm	ØE
<b>PPF4</b>	360	360	175	36	*100
<b>PPF8</b>	330	330	224	100	200
<b>PPF9</b>	330	330	175	85	225

\* PPF4 can also be used with 110mm x 54mm VPFD flat ducting

### TECHNICAL DATA

Model	Airflow - m <sup>3</sup> /hr at Speed				Airflow - l/sec at Speed				Watts				Volts	Hz	Weight kg
	1	2	3	4	1	2	3	4	1	2	3	4			
<b>PPF4</b>	43	58	72	86	12	16	20	24	6	9	11	13	230	50	5.4
<b>PPF8</b>	108	144	180	218	30	40	50	60	8	13	19	30	230	50	4.7
<b>PPF9</b>	155	235	303	-	43	65	84	-	6	12	18	-	230	50	7

### ACCESSORIES



FULL RANGE OF ACCESSORIES AVAILABLE INCLUDING FLEXIBLE AND FLAT DUCTING

Tel: +44(0)1494 522333  
Fax: +44(0)1494 522337

Vectaire Ltd  
Lincoln Road, Cressex Business Park  
High Wycombe, Buckinghamshire, HP12 3RH

Email: sales@vectaire.co.uk  
Web: www.vectaire.co.uk